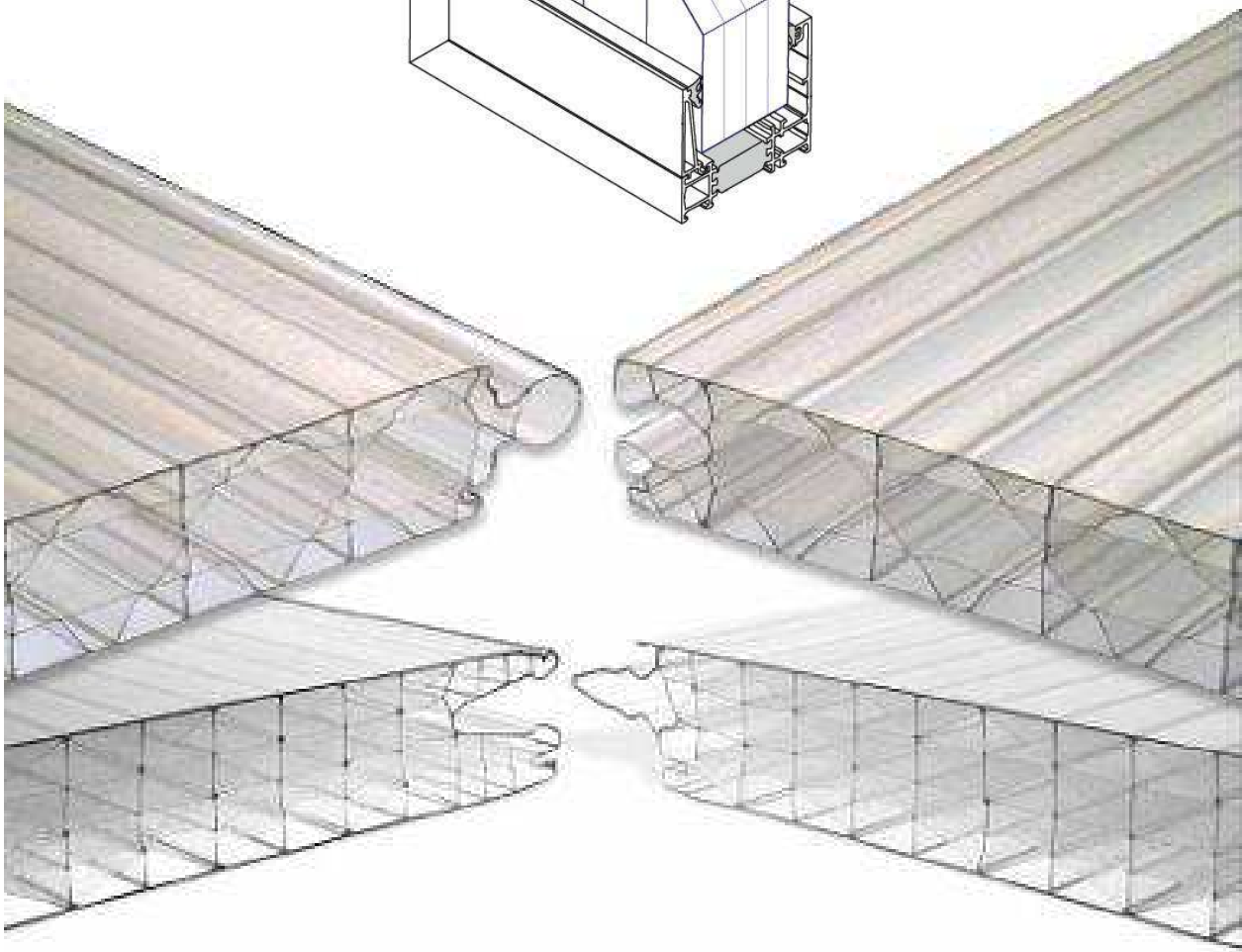
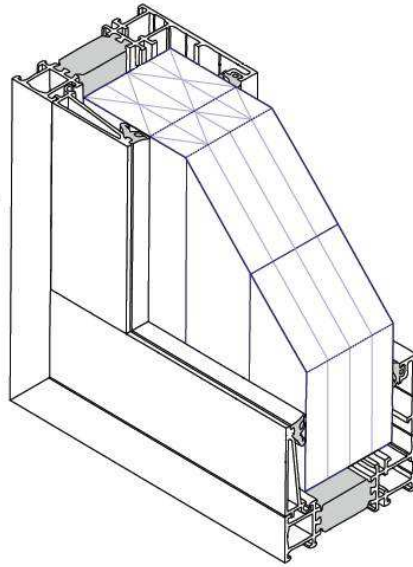
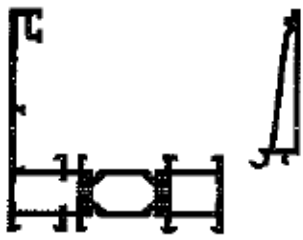


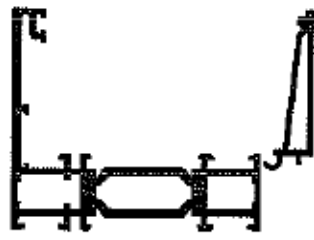
Installation Guide Thermoclick Profiles



Availability



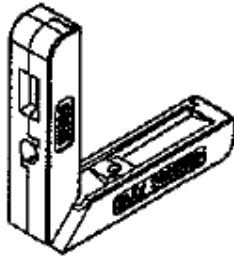
1



2



3



4



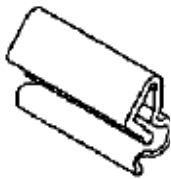
5



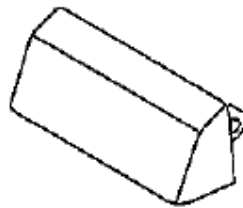
6



7



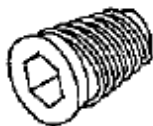
8



9



10



11

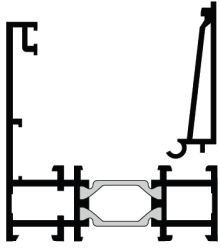
1. 40mm Profile
2. 50mm Profile
3. Fix-Key 40mm
4. Corner connector
5. Inner gasket
6. Outer gasket
7. Fix-Key 50mm
8. Place holder closing profile
9. Water drainage cap
10. Corner place holder
11. Corner screw

Availability

Set 1

SABIC-IP order#

ALPU40-ALUM



Content:

Base Profile 40mm

5x5800mm

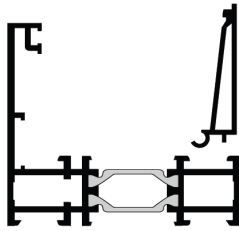
Closing Profile

5x5800mm

Set 2

SABIC-IP order#

ALPU50-ALUM



Content:

Base Profile 50mm

5x5800mm

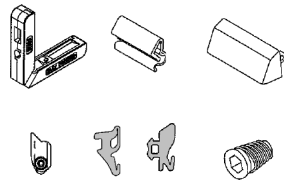
Closing Profile

5x5800mm

Set 3

SABIC-IP order#

TCLGASKET-OUTER



Content:

Inner gasket 1x 200m

Corner Screws 100 pc.

Outer gasket 1x 200m

Water drain. caps 100 pc.

Corner conn. 40 pc.

Spring piece 100 pc.

Corner place hold. 20 pc.

Set 4

SABIC-IP order#

FIXKEY40-ALUM



Content:

Fix-Key 40mm

Length 75mm

150 pc.

Set 5

SABIC-IP order#

FIXKEY50-ALUM



Content:

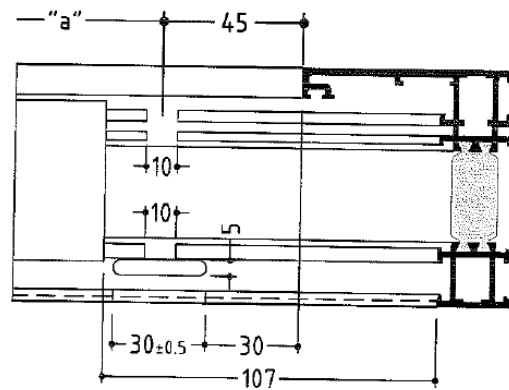
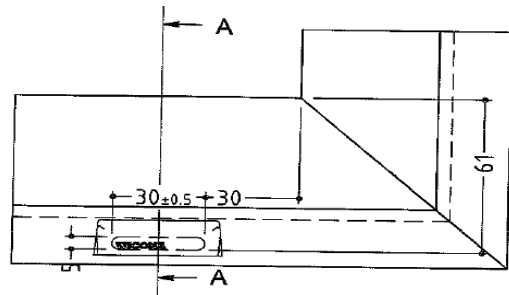
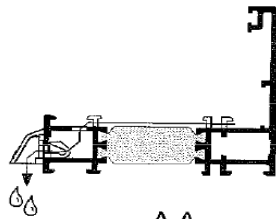
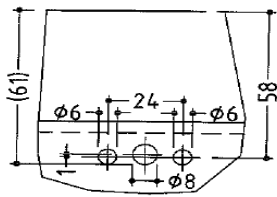
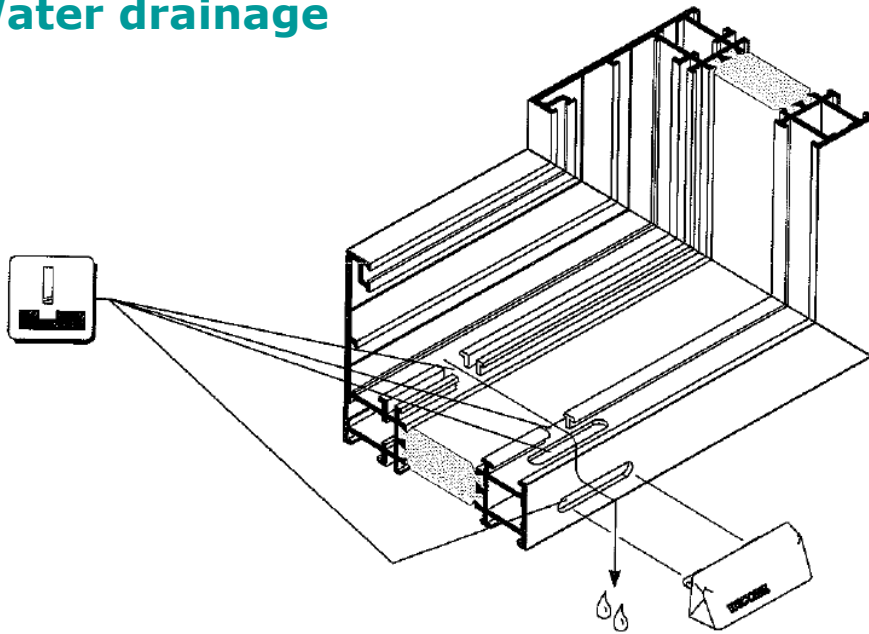
Fix-Key 50mm

Length 100mm

150 pc.

Installation Guide

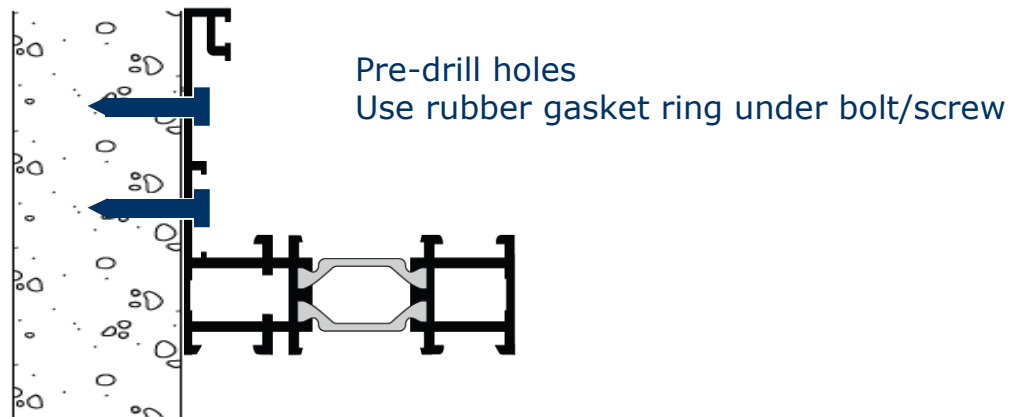
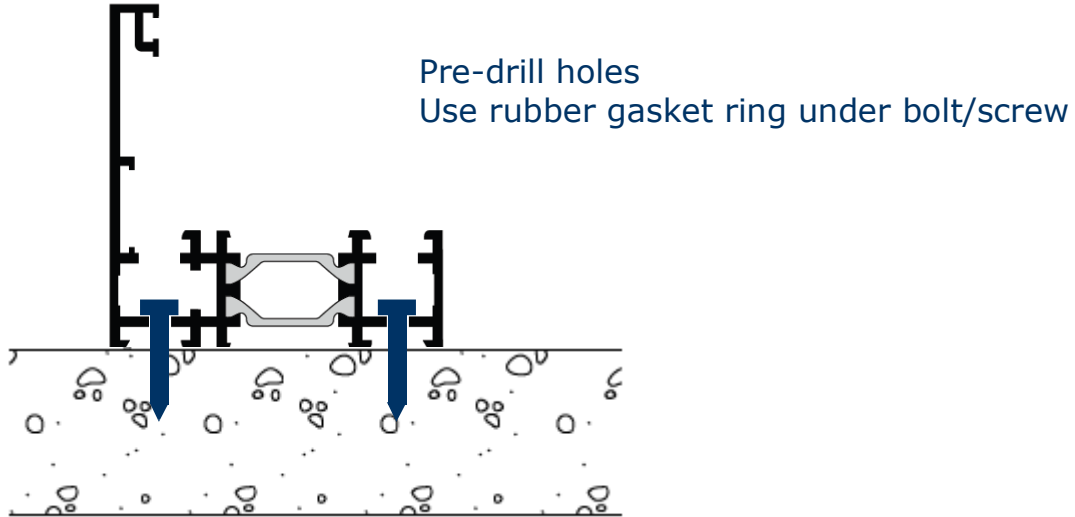
Water drainage



Drainage holes can be drilled or milled

Installation Guide

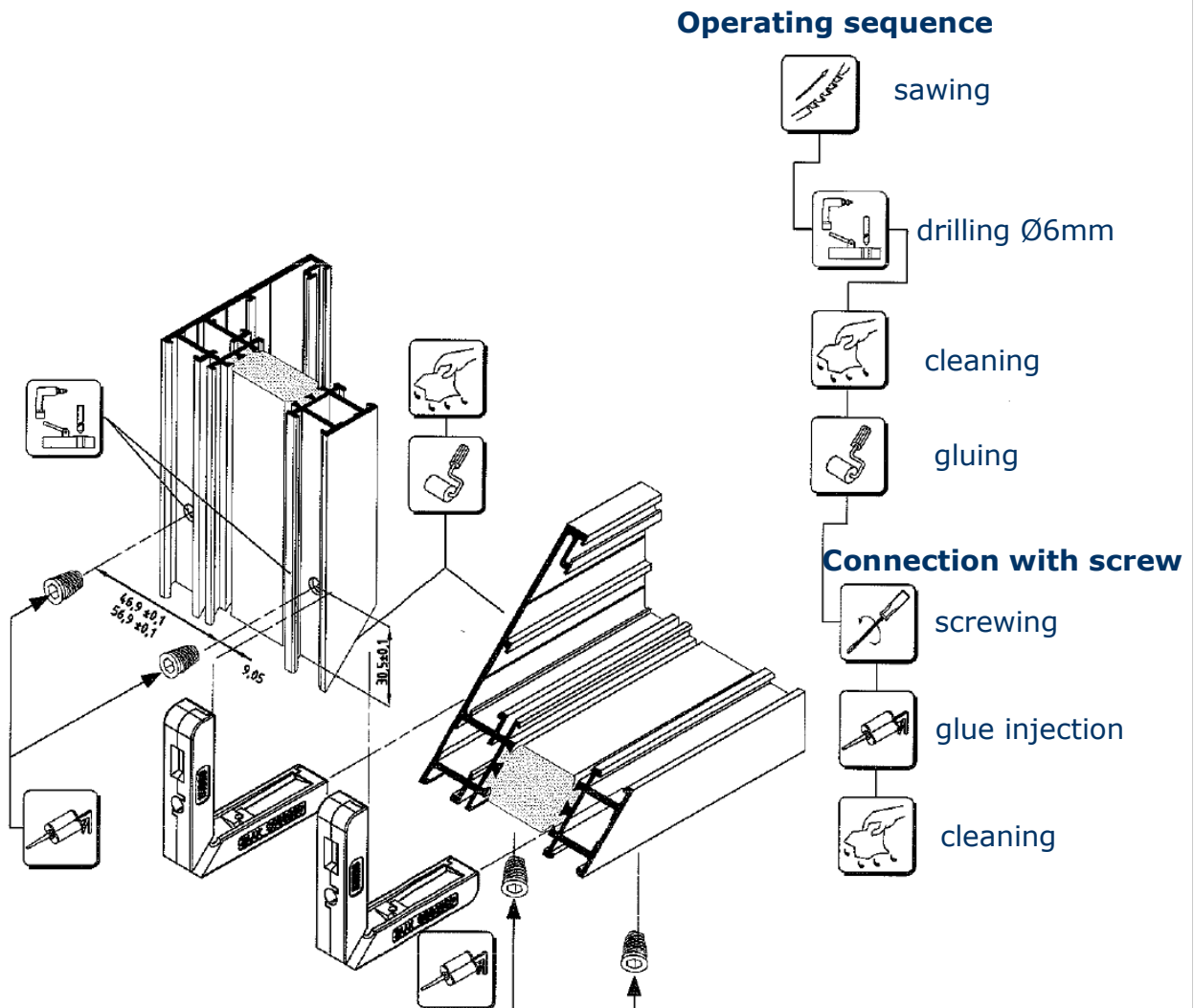
Mounting profile on foundation



Installation Guide

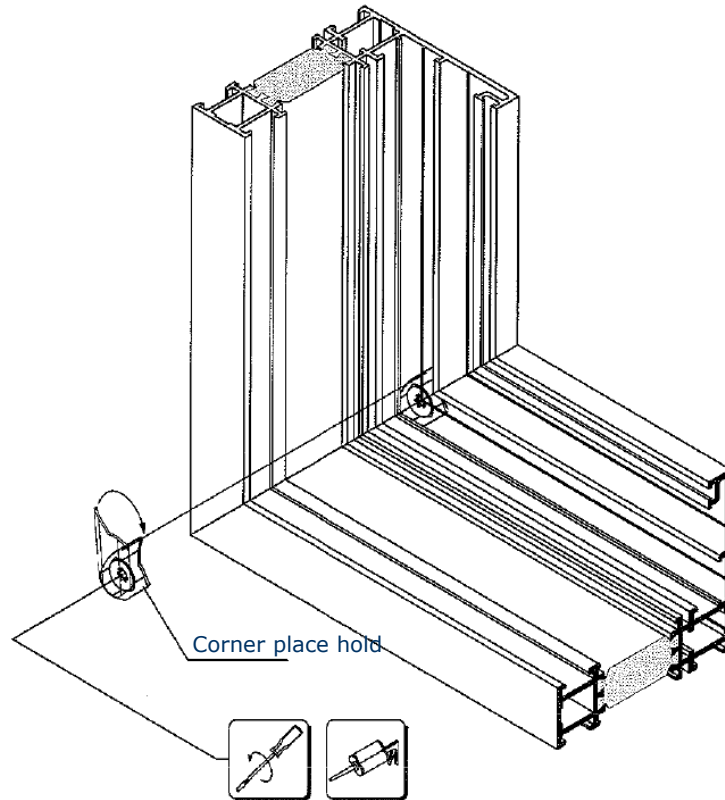
Corner connections

Screw corner connection



Installation Guide

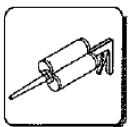
Corner connections



Insert corner place holder in the mitre corner



Turn the corner place holder with screw driver to the right until stop position

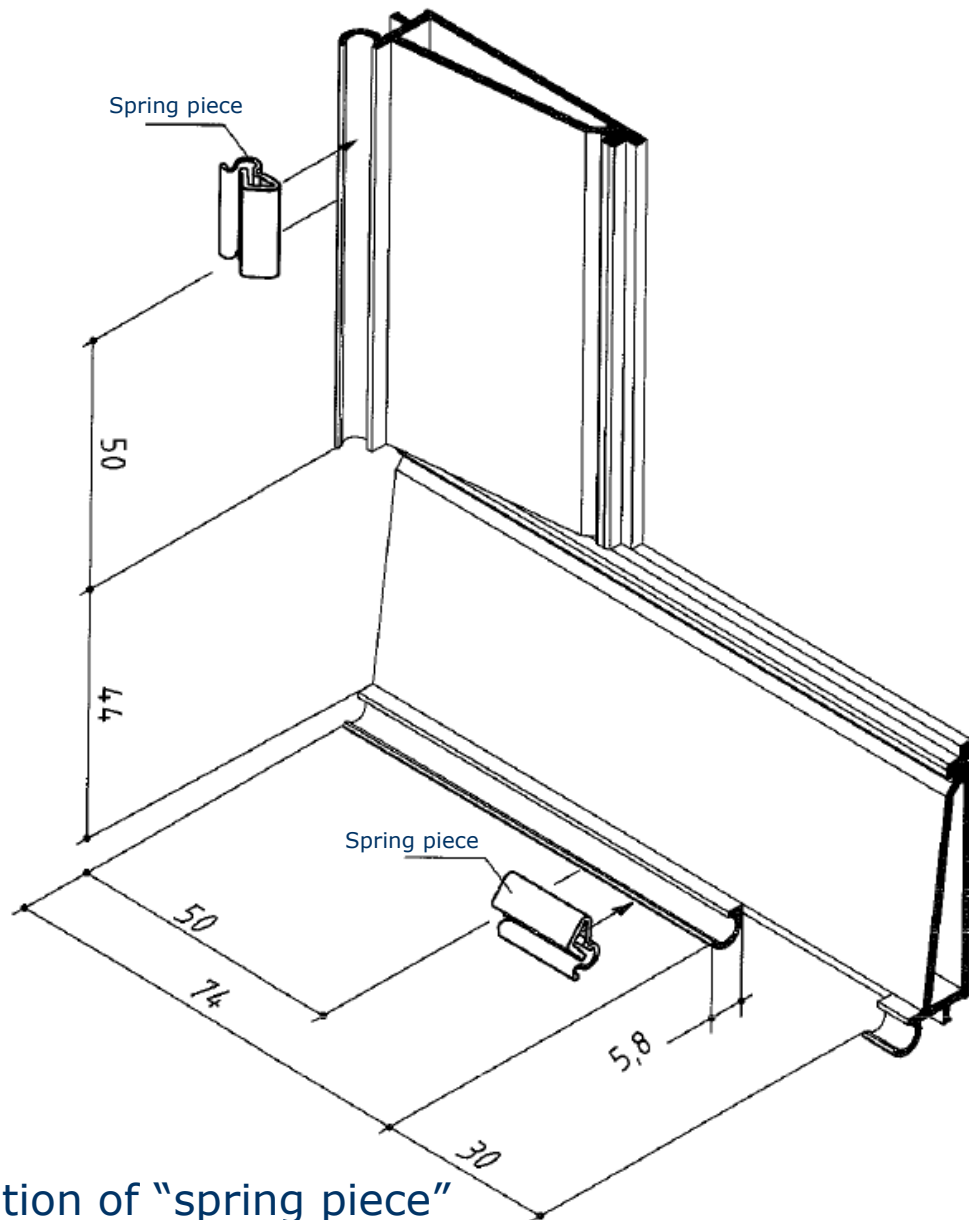


Inject quantity closed glue through the punch hole

Installation Guide

Mounting closing profile

mounting and transportation help with "spring piece"



Application of "spring piece"

- Necessary for anodized glazing profiles
- Approx. 50mm from end of closing profiles, further distances $\leq 250-300\text{mm}$